

YYYY retracted (minimum 45, standard 50)

XXXX + 170

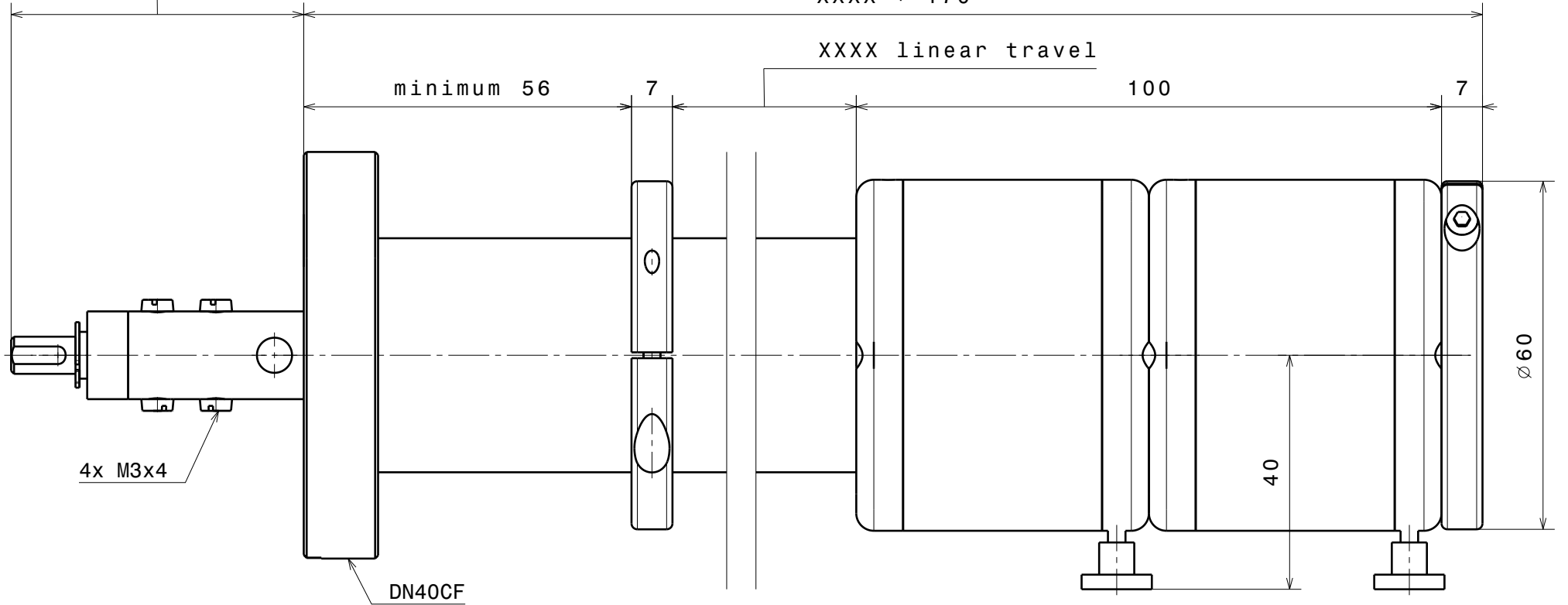
XXXX linear travel

minimum 56

7

100

7



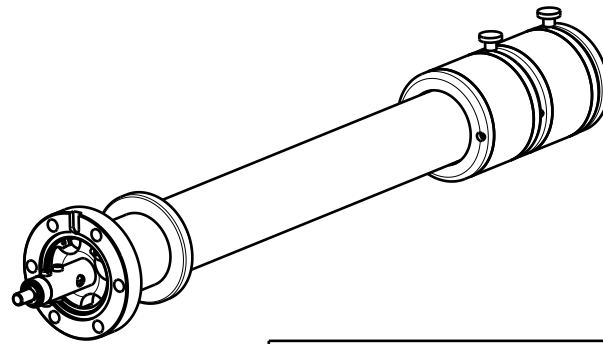
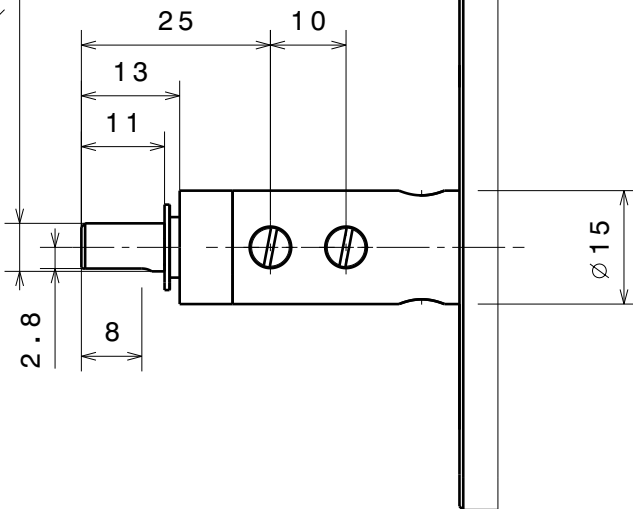
4x M3x4

DN40CF

∅ 60

40

∅ 6.35 h6 ( 0 / -0.009 )



1:4

Material: UHV compatible		nominal	over	1	6	30	100	300	1000
Dual Shaft Rotatable Sample Transporter		dimension up to		6	30	100	300	1000	2000
RMJG40		tolerance ±		0.05	0.1	0.3	0.5	0.8	1.2
		Scale	Drawn	S.Michels					
			Date	25.11.2016					
			changed	.....					
<b>Ferrovac GmbH</b>		THE INFORMATION CONTAINED IN THIS DRAWING IS THE SOLE PROPERTY OF FERROVAC GMBH. ANY REPRODUCTION IN PART OR AS WHOLE WITHOUT OUR PERMISSION IS PROHIBITED.		1:1		<b>RMJG40</b>			
CH-8050 Zurich									
Rev.	A								