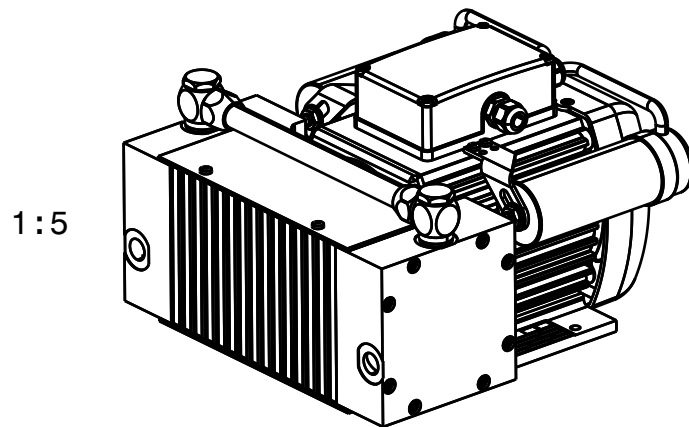
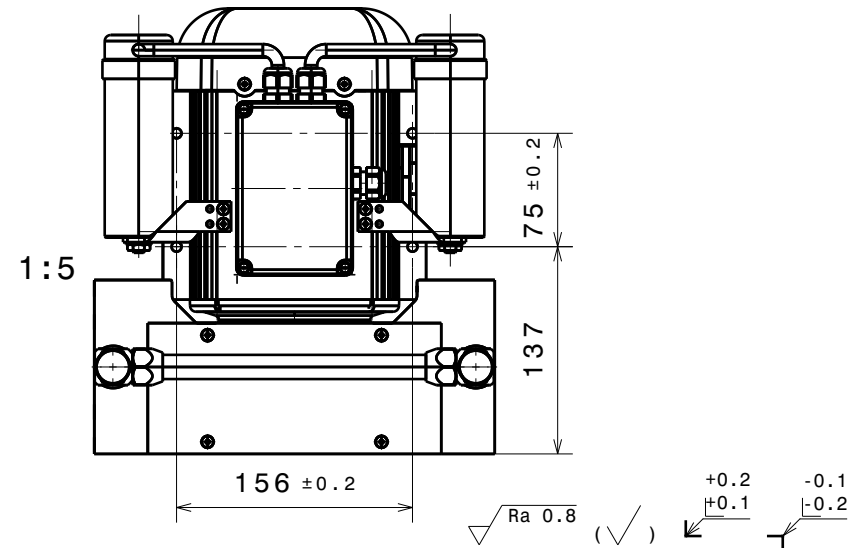


Flow rate at atm. Pressure:	3.6 [m <sup>3</sup> /h]
Ultimate vacuum:	4 [mbar abs.]
Operating pressure:	1 [bar]
Voltage:	230 [V]
Frequencies:	50 [Hz]
Motor protection:	IP 54
Power P1:	220 [W]
Operating current:	1.6 [A]
With thermal switch and power fuse	



Material: ....	nominal ≤30mm dimensions >30mm	DIN ISO 2768-f-H DIN ISO 2768-m-K excluding Sym./Runout
Diaphragm Vacuum Pump 60l/min (3.6 m <sup>3</sup> /h)	Sym./Runout >30mm	DIN ISO 2768-H
PUM060	formed part dimensions	DIN ISO 2768-f-H
<b>Ferrovac GmbH</b> CH-8050 Zurich	Scale	Drawn C.Weiss
	THE INFORMATION CONTAINED IN THIS DRAWING IS THE SOLE PROPERTY OF FERROVAC GMBH. ANY REPRODUCTION IN PART OR AS WHOLE WITHOUT OUR PERMISSION IS PROHIBITED.	Date
1:3 (1:5)		Changed
Rev. A	PUM060	
		A4 sheet 1/1